



COOLEGE LUMINOUS CEILINGS CUSTOM LUMINAIRE GUIDE

| | | | |
|--------------|--|----------------|-------------------|
| PROJECT | | REFERENCE TYPE | |
| SPECIFIED BY | | QUANTITY | |
| DATE | | NOTE | Luminous Ceilings |

DESCRIPTION

Cooledge Custom Luminaires enable the immersive illumination properties of our standard luminous ceiling products but with dimensions tailored to your exact requirements.

Features include exceptional acoustic performance, removable fabric, a range of light output options, as well as the possibility of changing the finish color or adding your own graphic images.



ILLUMINATION

| | |
|----------------------------|---|
| CCT | <ul style="list-style-type: none"> • 2200K, 2700K, 3000K, 3500K, 4000K, 5700K • TNW = 2700K-5700K • DTW = 2200K-3500K • W+RGB |
| CRI (Ra) | >90 |
| Color Uniformity (Typical) | 2 SDCM |
| Lumen Maintenance (L80) | 75,000 hr |

Contact Cooledge for Ordering Information and Specific Details

GENERAL

| | |
|-----------------------|---|
| Mounting Options | Suspended and Surface Mount – custom mounting configurations considered |
| Location | Indoor, dry location only |
| Operating Temperature | 0 – 40°C (32 - 104°F) |
| Storage Temperature | -40 – +85°C (-40 - 185°F) |
| Relative Humidity | 90% max (non-condensing) |
| Diffuser Material | Woven Polyester Fabric (coated) |
| Frame Material | Aluminum |
| Fire Rating | ASTM E84 Class A/EN:3501-1 Class B |



RoHS

COOLEGE LUMINOUS CEILINGS CUSTOM LUMINAIRE GUIDE

PHOTOMETRICS

LIGHT OUTPUT

| Flux – lm/sqft (lm/m ²)* | | | |
|--------------------------------------|----------------|-------------|---------------|
| Extra High Flux (XHF) | High Flux (HF) | Medium (MF) | Low Flux (LF) |
| 600 (6400) | 400 (4250) | 200 (2050) | 100 (1050) |

*Approximate. Actual values may change based on luminaire size

TM-30-15 DATA

| Index | TNW* | 3000K | 3500K | 4000K |
|-------|------|-------|-------|-------|
| Rf | 90 | 89 | 88 | 87 |
| Rg | 99 | 97 | 97 | 96 |

*TNW = Tunable White 2700K-5700K (both channels @50%)

For more details about color rendering properties, please see "Light Quality Metrics" at www.cooledgelighting.com

ACOUSTIC PERFORMANCE

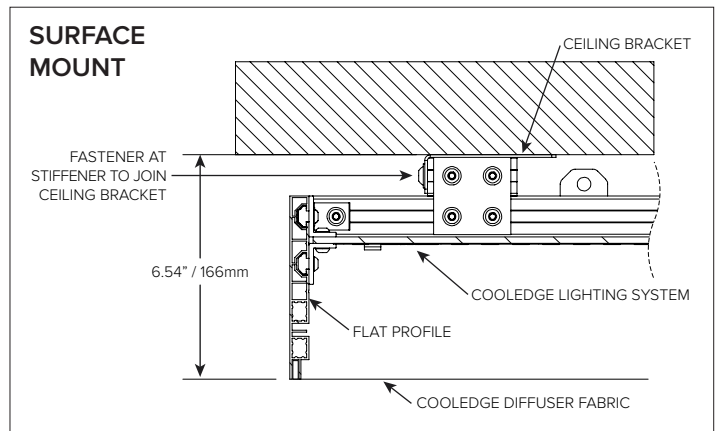
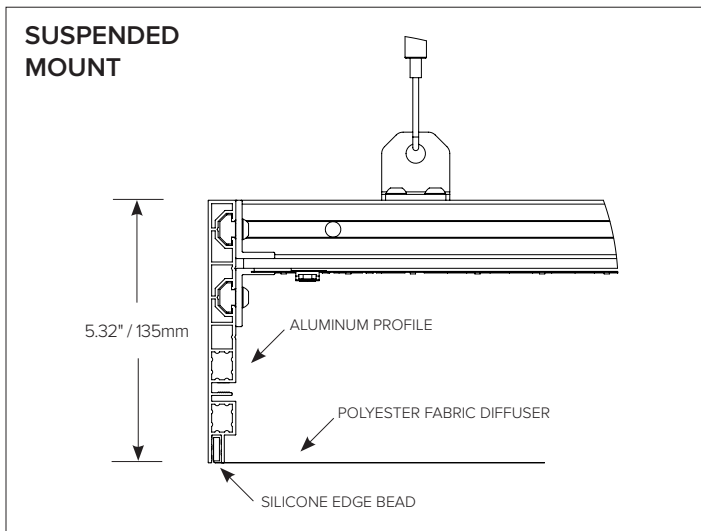
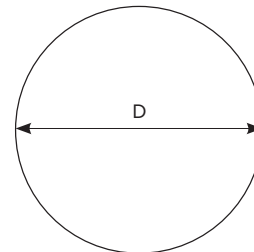
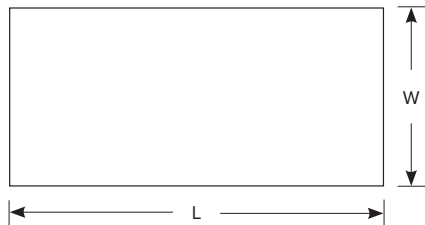
| Mounting Type | Noise Reduction Coefficient | Sound Absorption Average | Weighted Sound Absorption Coefficient (ISO EN11654) |
|---------------|-----------------------------|--------------------------|---|
| | NRC | SAA | α_w |
| Suspended | 0.75 | 0.76 | 0.65 (MH) |
| Surface Mount | 0.25 | 0.26 | 0.25 |

A full acoustic report is available at <https://www.cooledgelighting.com/acoustic-lighting#testreports>

DIMENSIONS (NOTE: CONTACT COOLEGE FOR OTHER SHAPES)

| Dimension | Maximum | Minimum |
|------------|----------------|---------------|
| Length (L) | 118" (3000mm) | 11.8" (300mm) |
| Width (W) | 78.5" (1995mm) | 6" (150mm) |

| Dimension | Maximum | Minimum |
|--------------|----------------|-------------|
| Diameter (D) | 78.5" (1995mm) | 30" (760mm) |



COOLEGE LUMINOUS CEILINGS
CUSTOM LUMINAIRE GUIDE

ELECTRICAL & CONTROL

| Electrical Performance | | Controls | |
|------------------------|--|--------------------------------|--|
| Input Voltage | 120-277 VAC | Minimum Dim Level – Single CCT | 0.05% |
| Input Frequency | Nom. 50-60 Hz | Minimum Dim Level - Tunable | 0.10% |
| Operating Frequency | 3000-3950Hz (compliant with IEEE 1789-2015 for flicker free) | Control Protocols | 0/1-10V, DMX, Wireless (Casambi), DALI |
| Start-up Time | 1.0 sec | | |
| Max. Inrush Current | 35-75 A | | |
| Rated Lifetime | 60,000-70,000 hr | | |

CUSTOM DESIGN CHECKLIST

Dimensions - Rectangles

Length _____ (min. = 11.8"/300mm; max = 118"/3000mm)
 Width _____ (min. = 6"/150mm; max = 78.5"/1995mm)

Dimension – Circles

Diameter _____ (min. = 30"/760mm; max = 78.5"/1995mm)

| Mounting Type | Finish Color | Light Output | Color Temperature | Other |
|--|---------------------------------|------------------------------|---|---|
| <input type="checkbox"/> Suspended | <input type="checkbox"/> Black | <input type="checkbox"/> XHF | <input type="checkbox"/> 2200K <input type="checkbox"/> TNW | <input type="checkbox"/> Custom Graphics |
| <input type="checkbox"/> Surface Mount | <input type="checkbox"/> White | <input type="checkbox"/> HF | <input type="checkbox"/> 2700K <input type="checkbox"/> DTW | <input type="checkbox"/> Other Shapes (Contact Cooledge) |
| | <input type="checkbox"/> Custom | <input type="checkbox"/> MF | <input type="checkbox"/> 3000K <input type="checkbox"/> W+RGB | |
| | | <input type="checkbox"/> LF | <input type="checkbox"/> 3500K | |
| | | | <input type="checkbox"/> 4000K | |
| | | | <input type="checkbox"/> 5700K | |

NOTE: All luminaires are compatible with 0-10V control protocol. Other options include DALI, DMX, and Casambi (wireless). Not all protocol options are available for all regions and configurations. Please contact Cooledge for details.

Description for Specification/Fixture Schedule:*

Cooledge Custom Luminaire, *Suspended/Surface* Mount, Finish = *color*, Size = *dimensions*, Removable Fabric, Light Output = *XHF/HF/MF/LF*, CCT, *Control Protocol*, NRC = *value*, CRI>90, *UL Listed/CE Compliant*

*This description format will be used by Cooledge on quotations and sales transaction documents

Additional Information